

# EchoGuard CR<sup>®</sup>

4D MESA<sup>®</sup> Radar for Close Range Surveillance

Guard Every Perimeter

Ground and Air

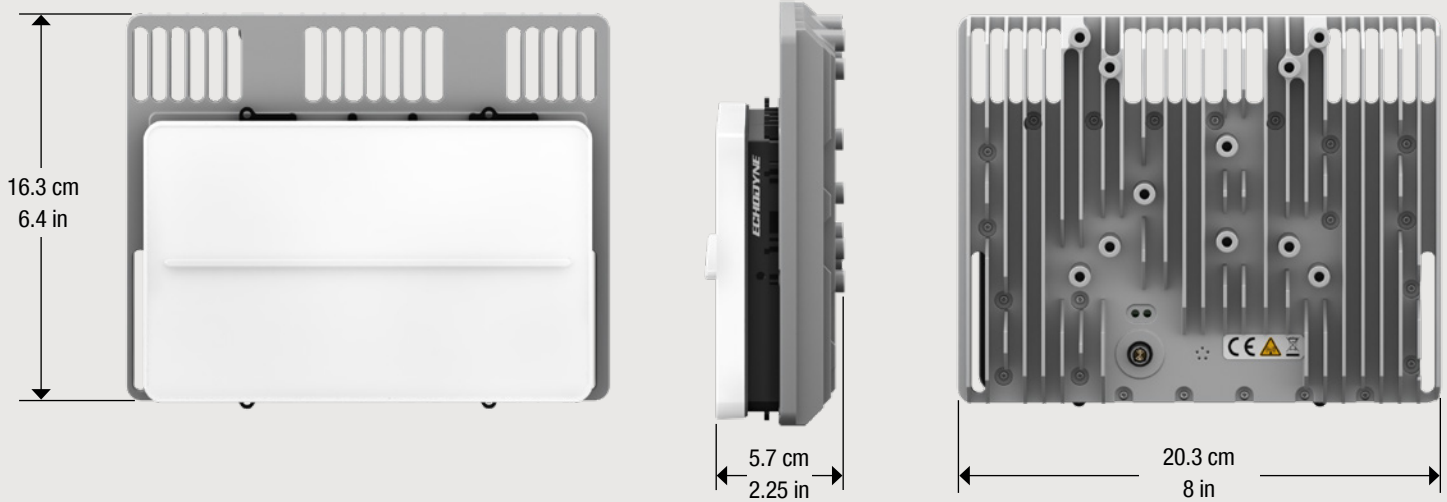
Accurate and Reliable



Built for Semi-Urban, Urban, and Close-Range Environments.

RADAR PERFORMANCE	SWaP & ENVIRONMENTAL	INTEGRATION & DATA
<p><b>Frequency</b> K-band 24.45 – 24.65 GHz</p> <p><b>Field of View</b> 120° azimuth x 80° elevation</p> <p><b>Track Accuracy</b> &lt; 1° azimuth x &lt; 1.5° elevation</p> <p><b>Track Update Rate</b> 10 Hz</p> <p><b>Max Tracks</b> Up to 20 Simultaneous Tracks</p> <p><b>Instrumented Range</b> 1.2 km</p> <p><b>Range</b> sUAV: &gt; 225 m (Phantom 4) &gt; 350 m (Matrice 600) Vehicle: &gt; 900 m Human: &gt; 500 m</p>	<p><b>Size</b> 20.3 cm x 16.3 cm x 4 cm</p> <p><b>Weight</b> 1.25 kg</p> <p><b>Power</b> + 12 to + 30 VDC Comp w/ PoE+, Class 4 Ext. &lt; 24 W (Operating) &lt; 10 W (Hot standby)</p> <p><b>Operating Temp</b> - 40° C to + 75° C</p> <p><b>Weather Protection</b> IP67</p>	<p><b>Control I/O</b> Gigabit Ethernet</p> <p><b>Power I/O</b> Snap Lock 12 Pin Connector</p> <p><b>Data Output</b> R/V Maps: 40 MBps Detections: 1 MBps Measurements: 1 MBps Tracks: 25 KBps</p> <p><b>Mounting</b> VESA 75 &amp; 100 mm</p>

**RADAR DIMENSIONS**



**ORDERING DETAILS**

FCC ID: 2ANLB-MESASSR00053

WHITE 700-0005-203-110

# Software & Support

**SOFTWARE UPDATES**

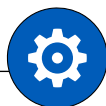
## Continuous Improvement from Software-Defined Radar

- Includes All Major and Minor Releases
- Improve Radar Operations
- Enhanced Classification
- Radar Data Visualization Tools
- Radar Support Tools

**TECHNICAL SUPPORT**

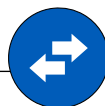
## Priority Access to Radar Support

- Review and Training Sessions
- Systems Integration
- Troubleshooting
- Performance Review
- Planning



**PRIORITY TECHNICAL SUPPORT**

Priority queuing via company match when using support@echodyne.com.



**CUSTOMER PORTAL**

24/7 access to all tools, manuals, and materials.



**PERFORMANCE ENHANCEMENT**

Continuous improvements through software development.



**USER COMMUNITY**

Submit requests for features and functionality.